

**The STARS Program**  
**Sacramento County Dependency Drug Court**  
**By**  
**Jeffrey Pogue Director Bridges/STARS**  
**Dana Martinez STARS Recovery Specialist**  
**Steve Nelson Parents Attorney**  
**Vivian Hudspeth Graduate**

# STARS-The Beginning

---

- **Building The Team**
- **Building Partnership With CPS**
- **Building Partnership With Treatment Community**
- **Building Trust With The Judicial System**

# The 5 Points of STARS Success

---



# Three STARS Strategies for Working with Substance Abusing Parents

---

- Use of Motivational Interviewing Techniques
- Role-modeling
- Accountability

# Motivational Interviewing

---

- Alternative to theory that denial and resistance must be smashed
- Described as “dancing” not “wrestling”
- Works well as it eliminates the power struggle

# Role Models

---

- **Recovery Specialists are:**
  - ✓ **Certified addiction specialists**
  - ✓ **Believable and approachable**
  - ✓ **Comfortable with some self-disclosure**
  - ✓ **Non-punitive in approach**

# Accountability

---

- **Recovery Specialist trained to not “play God”.**
- **Recovery Specialist trained to maintain level playing field.**
- **Recovery Specialist trained to report accurate information.**

# Intake Philosophy

---

- **Immediate intake.**
- **Immediate access to treatment.**
- **Immediate contact with Recovery Specialist – gender specific.**



# Recovery Specialist Practice

---

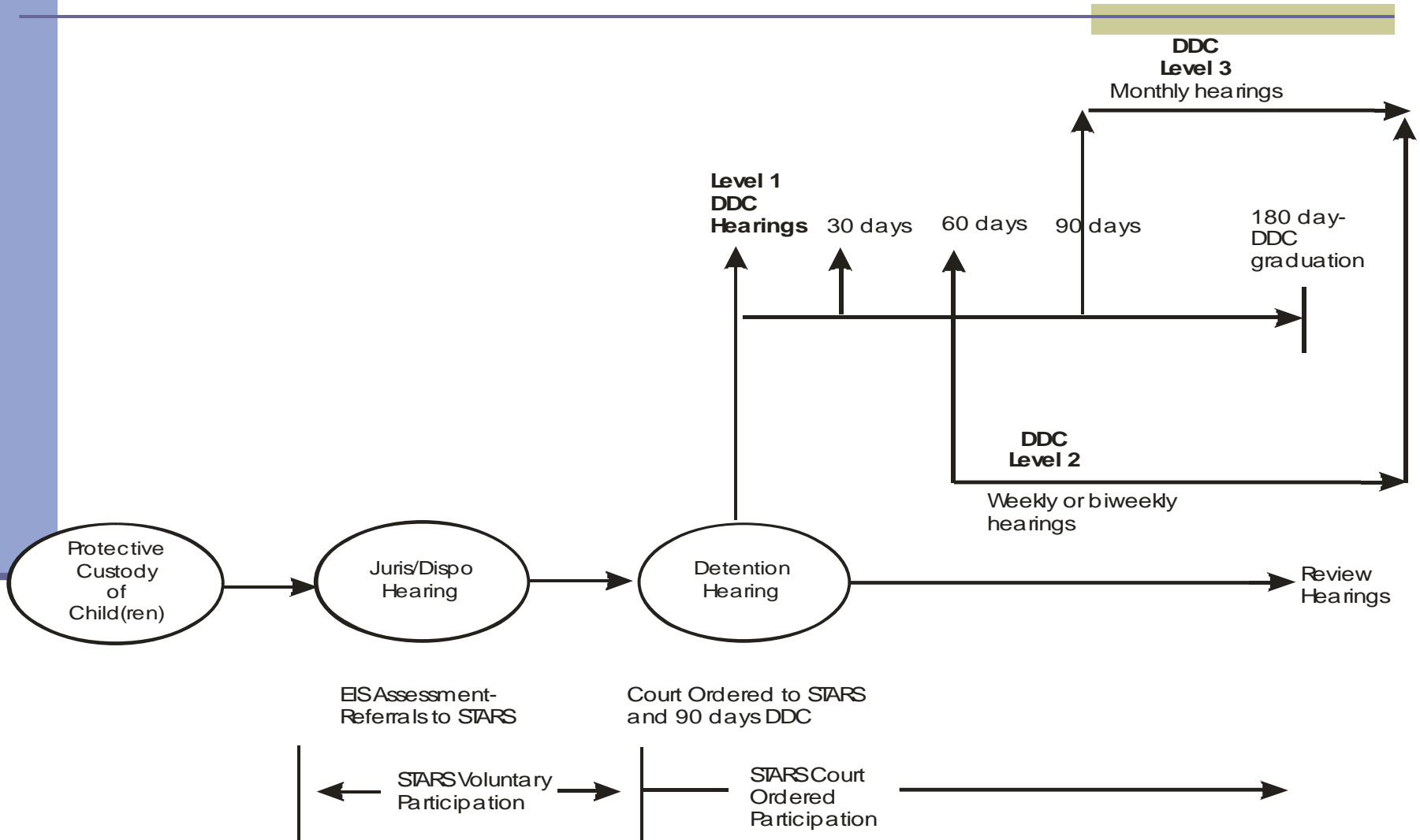
- **Accurate Records And Reports.**
- **Face To Face Contacts.**
- **Reporting To CPS.**
- **Testing Procedures.**
- **Crisis Intervention**

# Supervision Issues

---

- **Integrity**
- **Team Morale**
- **Unhappy Clients and/or Stakeholders**
- **Training**

# Sacramento County Drug Court Model



# Parent Attorney Issues

---

- **Advantages of STARS and DDC**
- **Costs?**
- **Legal Issues**

