

**The STARS Program**  
**Sacramento County Dependency Drug Court**  
**By**  
**Jeffrey Pogue Director Bridges/STARS**  
**Dana Martinez STARS Recovery Specialist**  
**Steve Nelson Parents Attorney**  
**Vivian Hudspeth Graduate**



Meth Crisis

FOX40  
NEWS

# Program Context

---

- **Sacramento County population: 1.5 million.**
- **In 2006, there were approximately 7,000 substantiated child abuse/neglect referrals, in Sacramento.**
- **An estimated 70 to 90% of child welfare cases involve families affected by substance abuse.**

# **Sacramento County Prior to STARS and Dependency Drug Court**

---

- **Reunification rate about 18-20%.**
- **Parents unable to access AOD treatment**
- **Social workers, attorneys, courts often uninformed on parent progress.**
- **Drug testing not uniform and results often delayed.**
- **Distrust between AOD and Child Welfare System.**

# **Sacramento County after STARS and Dependency Drug Court**

---

- **Reunification rates doubled.**
- **More parents entering and completing treatment.**
- **Better communication and reporting.**
- **Improved drug testing.**
- **Improved relationship between AOD and Child Welfare System.**

# Specialized Recovery and Treatment Services

---

- **25 Recovery Specialists working with 20-25 substance abusing parents.**
- **Effect client change by removing barriers to treatment and providing support coupled with strict accountability.**
- **Provide CPS/Dependency Courts with accurate and reliable documentation regarding client progress through treatment.**

# STARS Philosophy

---

- Our belief is that when we combine an empathetic, supportive environment with one that stresses accountability, we are able to create change in a profound way
- Each parent we work with is encouraged to accept responsibility for every action he/she participates in

# Reports and Reporting

---

- **2 Reports Per Month Per Client (1<sup>st</sup> & 15<sup>th</sup>)**
- **Copy to CPS and DDC**
- **Only Facts Reported:**
- **#Contacts Required-# Completed**
- **#Treatment Sessions Required-#Completed**
- **#Tests Required-# Completed With Results**
- **# Support Groups Required-# Attended**
- **Client Compliant Only If Perfect**
- **CPS Worker Notified Every Step Of The Way**
- **Immediate Report to CPS When Children At Risk**



# 4 Components of STARS

---

- Recovery Specialist Contacts
- Treatment Attendance
- Drug Testing
- Support Group Attendance

# Recovery Specialist Contacts

---

- **At Least 50% Contacts In Field.**
- **Track 1 Clients Seen 2 Times Per Week.**
- **Track 2 Clients Seen 1 Time Per Week.**
- **Track 3 Clients 1 Time Per Report Period.**

# Goal of Contacts

---

- **Assess Sobriety-Testing/Observance**
- **Motivate**
- **Encourage**
- **Remove Barriers**
- **Treatment Issues**
- **Problem Solving**
- **Listen**
- **Gather Information**

# Treatment Attendance

---

- **Minimum 6 Months of Treatment**
- **Goal Is Treatment On Day 1**
- **STARS Role Is To Support And Not Interfere**

# Drug Testing

---

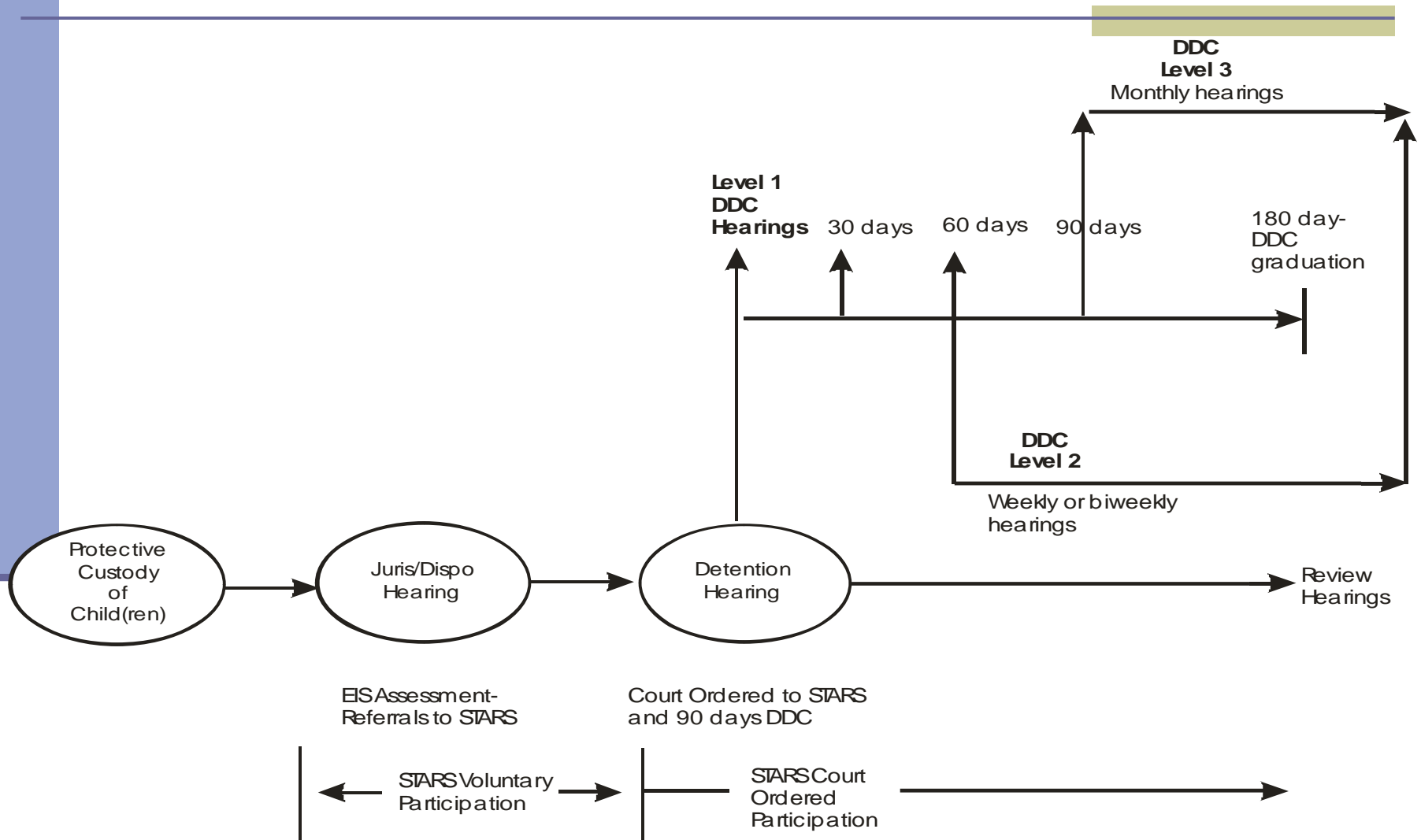
- **Observed**
- **Random**
- **Instant**
- **Therapeutic Tool**
- **Minimum 2 Times Per Week**

# Support Group Attendance

---

- **Minimum Of 6 Support Group Meetings Per Report Period.**
- **AA/NA Encouraged But Not Mandated.**
- **Clients Required To Have Cards Signed.**

# Sacramento County Drug Court Model



# Dependency Drug Court Sessions

---

- **DDC Sessions Held Wednesday Afternoons.**
- **DDC Referee Deals Sanctions and Incentives Based on Compliance/Non-Compliance Of STARS Reports.**
- **All Clients Ordered to Attend 30,60, 90 Day Hearings.**
- **Second Non-Compliance Results In 2 Days Jail.**
- **Third Non-Compliance Results In 4 Days Jail.**



# Dependency Drug Court Cont.

---

- **Incentives Include Medallion, Rocks, Certificates, Gift Awards, Graduation, STAR.**
- **Clients With 90 Straight Days Compliance Earn 90 Day Certificate And May Elect To Go Another 90 Days To Graduate.**
- **Clients With 180 Days Of Straight Compliance Graduate From Drug Court.**
- **Clients Who Struggle in Level 1 May Elect To Enter Level 2.**

# Parent Attorney Objectives

---

- **Support Growth By Teaming Up.**
- **Modify Conventional Legal Mindset.**
- **Utilizing Effective Ways To Motivate Client.**

